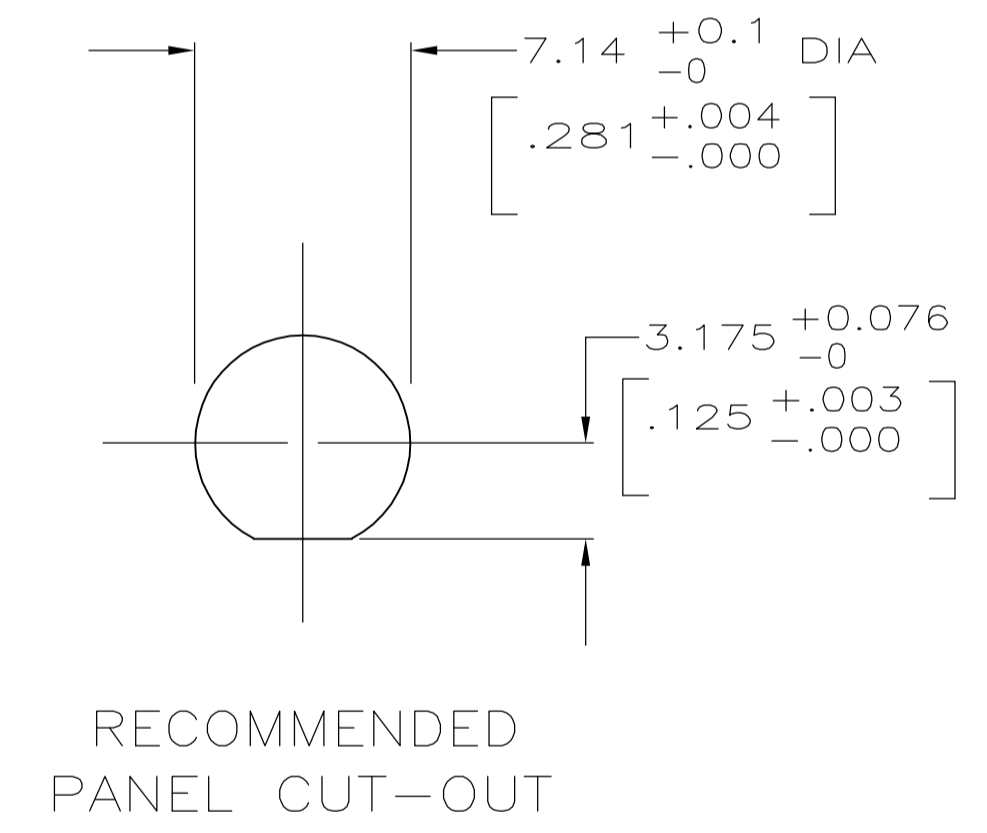
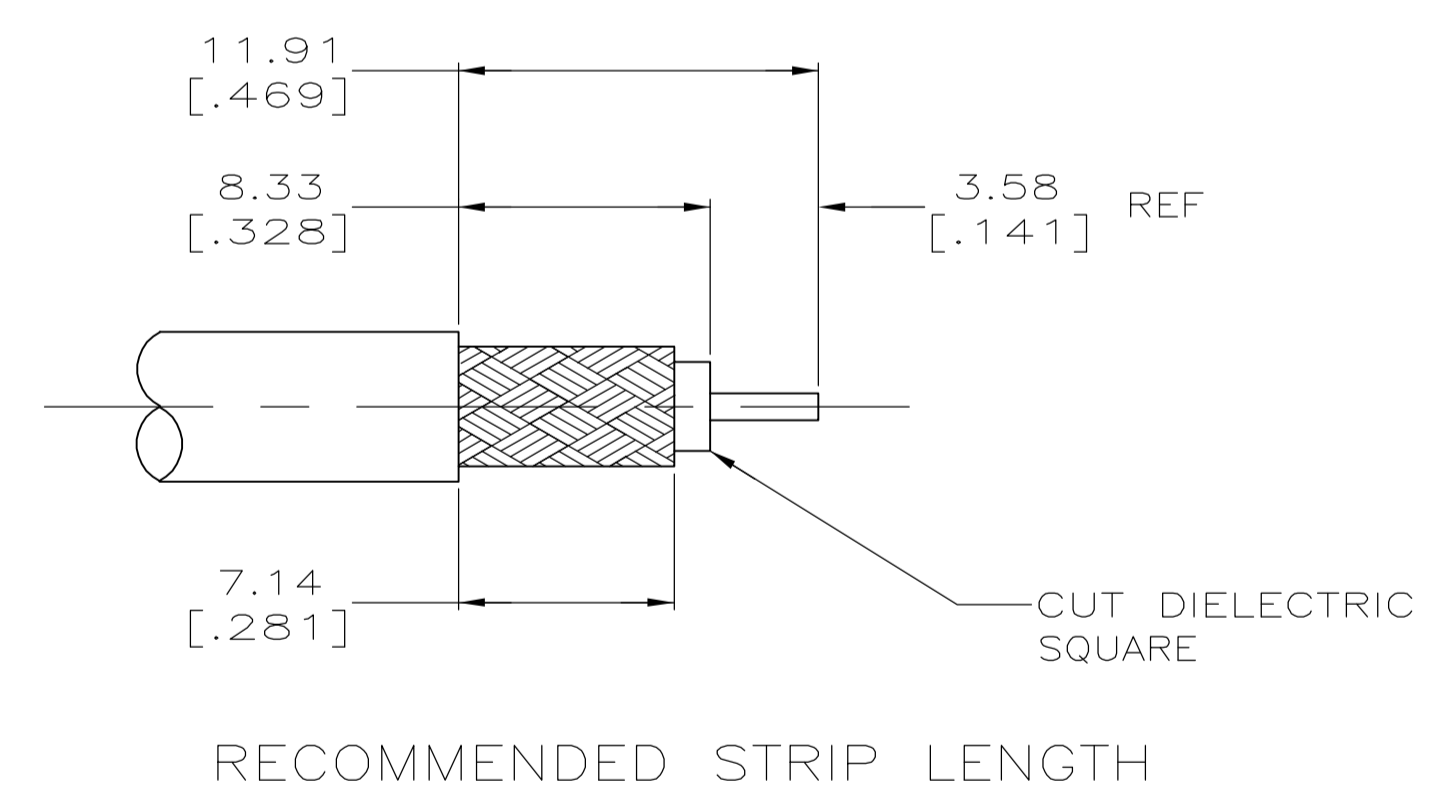


1. STEEL STAMP
2. PARTS PACKAGED UNASSEMBLED.
3. SEE INSTRUCTION SHEET NO. 408-2322.



220061-1	RG-174/U,188A/U & 316/U	2-332004-0	1-22145-3	226315-1	9-50285-0	448180-3	225549-2	5225608-4
HAND TOOL	CABLE SIZE	⑥ JAM NUT QTY=1	⑤ LOCKWASHER QTY=1	④ O-RING QTY=1	③ FERRULE QTY=1	② CONTACT QTY=1	① BULKHEAD JACK ASSY QTY=1	ASSY NO

METRIC

THIS DRAWING IS A CONTROLLED DOCUMENT.

DIMENSIONS: MM [INCHES]	TOLERANCES UNLESS OTHERWISE SPECIFIED:	DRAWN A. FERNANDEZ-DOCKS 31JAN2005	DESIGNED J. HAVENER 31JAN2005	DATE 31JAN2005	NAME D. CAMELIO	COMPANY tyco Electronics	LOCATION Tyco Electronics Corporation Harrisburg, PA 17105-3608
0 PLC ± -	1 PLC ± -	2 PLC ± -	3 PLC ± 0.41 [016]	4 PLC ± -	ANGLES ± -	FINISH	RESTRICTED TO
MATERIAL	FINISH	WEIGHT	SIZE A1	CAGE CODE 00779	DRAWING NO 5225608	SCALE 4:1	SHEET 1 OF 1
CUSTOMER DRAWING		REV 0					